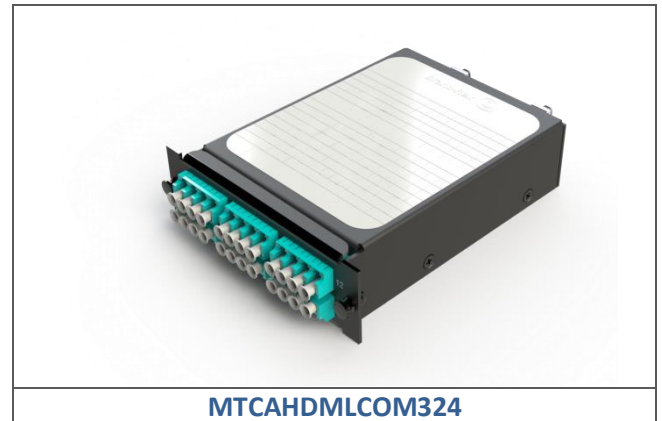


APPLICATION

MT Connect closed cassettes provide 24 fibre MPO-to-LC or 12 fibre MPO-to-SC patches per cassette, giving a maximum density of 96 LC fibres in 1U or 48 SC fibres in 1U. MT Connect cassettes have one or two 12-fibre MPO adaptors on the rear and 6 LC quad adaptors or 6 SC duplex adaptors on the front.

FEATURES

- High fibre density (up to 96 fibres per 1U panel)
- Modular design
- LC and SC variants available
- Plug and play modules allow fast installation of multiple fibre links
- Multi-mode OM3, OM4 and single-mode options available



ORDER INFO

Brand-Rex Part Number	Item Description	Colour	Weight per Item (nom)	Qty per Pack
MTCAMDMLOM3242	LC 24 Fibre OM3 HD Module Cassette	Black	500g	1
MTCAMDMLOM4242	LC 24 Fibre OM4 HD Module Cassette	Black	500g	1
MTCAMDML008242	LC 24 Fibre SM HD Module Cassette	Black	500g	1
MTCAMDMLOM3122	LC 12 Fibre OM3 HD Module Cassette	Black	500g	1
MTCAMDMLOM4122	LC 12 Fibre OM4 HD Module Cassette	Black	500g	1
MTCAMDML008122	LC 12 Fibre SM HD Module Cassette	Black	500g	1
MTCAMDMSOM3122	SC OM3 HD Module Cassette	Black	500g	1
MTCAMDMSOM4122	SC OM4 HD Module Cassette	Black	500g	1
MTCAMDMS008122	SC SM HD Module Cassette	Black	500g	1

Note: Other variants available on request.

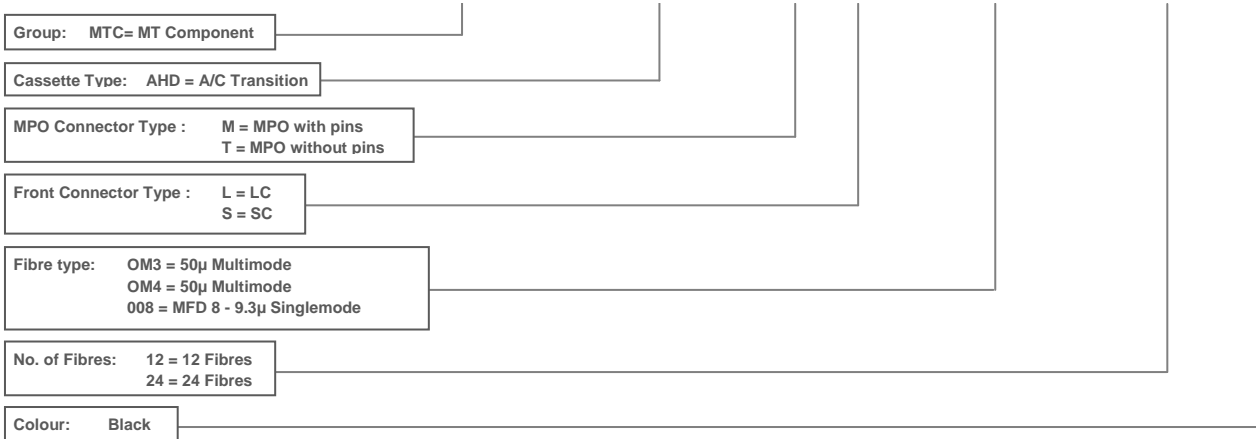
CONNECTOR PERFORMANCE

Connector Type		Insertion Loss (dB)		Maximum Attenuation (dB/km)	Typical Cable Attenuation (dB/km)
		Typical	Maximum	Typical	Maximum
Multimode	MPO ⁽¹⁾	0.35	0.75	25	20
	LC or SC	0.20	0.40	25	20
Singlemode	MPO ⁽¹⁾	0.35	0.50	65	55
	LC or SC	0.20	0.30	65	55

⁽¹⁾Angled polish face

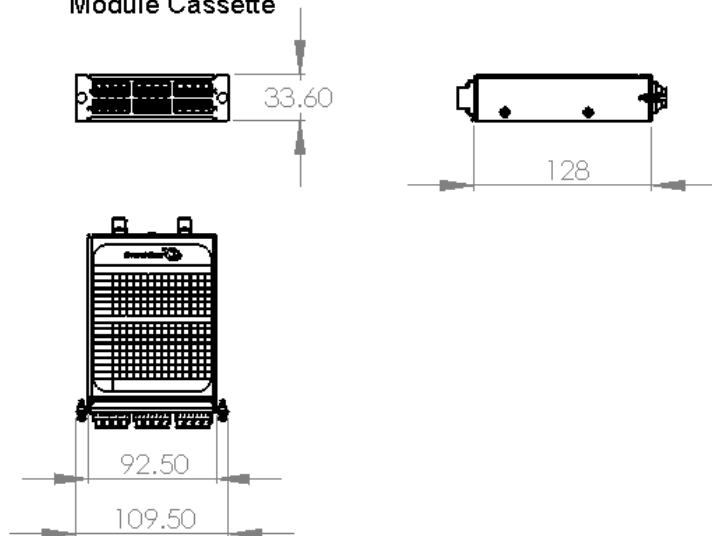
PART NUMBER BREAKDOWN

MTCAHDABCCDD2

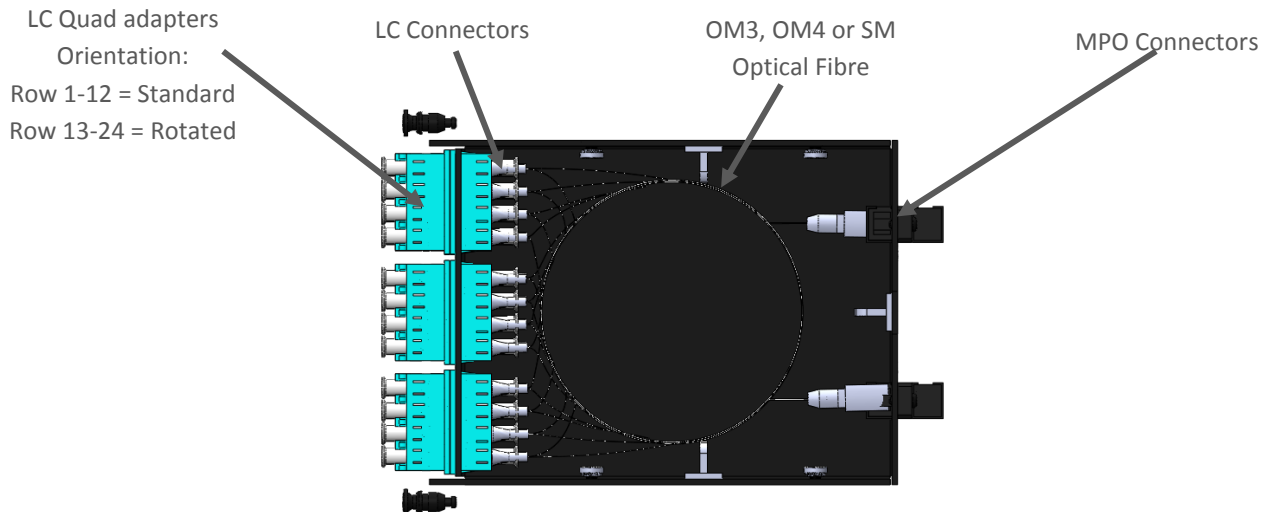


PHYSICAL CHARACTERISTICS

Module Cassette



CASSETTE PARTS



MATERIALS

- Chassis: Powder Coated Aluminium Alloy

“Brand-Rex is dedicated to designing, developing and manufacturing sustainable high performance structured cabling and speciality cabling solutions”

The information contained in this document is valid and correct at the time of issue. Brand-Rex reserves the right to modify details without notice in light of subsequent standard/specification changes and ongoing technical developments.