

MT Connect Superset Cassette

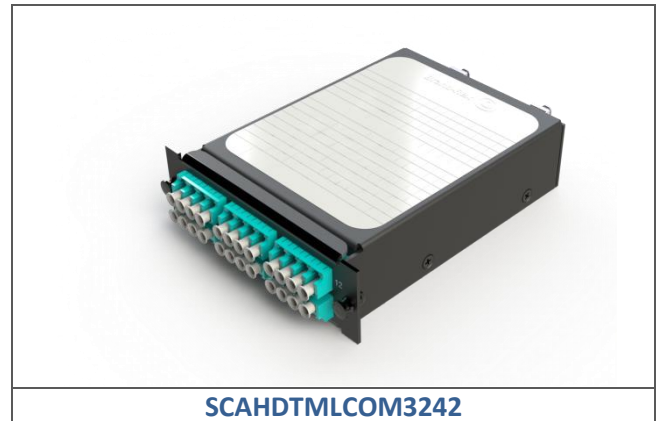
Datasheet: GD102645v2

APPLICATION

MT Connect Superset closed cassettes provide 12 or 24 fibre MTP-to-LC or 12 fibre MTP-to-SC patches per cassette, giving a maximum density of 96 LC fibres in 1U. MT Connect Superset cassettes have one or two 12-fibre MTP adaptors on the rear and 3 or 6 LC quad adaptors on the front.

FEATURES

- High fibre density (up to 96 fibres per 1U panel)
- Modular design
- LC and SC variants available
- Ultra high performance connectors to achieve a low loss optical budget
- Plug and play modules allow fast installation of multiple fibre links
- Multi-mode OM3, OM4 and single-mode options available



ORDER INFO

Brand-Rex Part Number	Item Description	Colour	Weight per Item (nom)	Qty per Pack
SCAHDTMLCOM3122	LC 12 Fibre OM3 Module Cassette	Black	500g	1
SCAHDTMLCOM4122	LC 12 Fibre OM4 Module Cassette	Black	500g	1
SCAHDTMLC008122	LC 12 Fibre Single Mode Module Cassette	Black	500g	1
SCAHDTMLCOM3242	LC 24 Fibre OM3 Module Cassette	Black	500g	1
SCAHDTMLCOM4242	LC 24 Fibre OM4 Module Cassette	Black	500g	1
SCAHDTMLC008242	LC 24 Fibre Single Mode Module Cassette	Black	500g	1
SCALPTMLCOM3122	LC 12 Fibre OM3 Module Cassette – Alpha wiring	Black	500g	1
SCBTATMLCOM3122	LC 12 Fibre OM3 Module Cassette – Beta wiring	Black	500g	1
SCALPTMLCOM4122	LC 12 Fibre OM4 Module Cassette – Alpha wiring	Black	500g	1
SCBTATMLCOM4122	LC 12 Fibre OM4 Module Cassette – Beta wiring	Black	500g	1
SCALPTMLC008122	LC 12 Fibre Single Mode Module Cassette – Alpha wiring	Black	500g	1
SCBTATMLC008122	LC 12 Fibre Single Mode Module Cassette – Beta wiring	Black	500g	1
SCALPTMLCOM3242	LC 24 Fibre OM3 Module Cassette – Alpha wiring	Black	500g	1
SCBTATMLCOM3242	LC 24 Fibre OM3 Module Cassette – Beta wiring	Black	500g	1
SCALPTMLCOM4242	LC 24 Fibre OM4 Module Cassette – Alpha wiring	Black	500g	1
SCBTATMLCOM4242	LC 24 Fibre OM4 Module Cassette – Beta wiring	Black	500g	1
SCALPTMLC008242	LC 24 Fibre Single Mode Module Cassette – Alpha wiring	Black	500g	1
SCBTATMLC008242	LC 24 Fibre Single Mode Module Cassette – Beta wiring	Black	500g	1

Note: Other variants available on request.

PART NUMBER BREAKDOWN

SCAAABBCCDDDEE2

Group: SC=Superset Component

Cassette Type: AHD = A/C Transition
ALP = Beta Transition - Alpha Cassette
BTA = Beta Transition - Beta Cassette

MTP® Connector Type : TM = MTP Low Loss with pins
T = MTP Low Loss without pins

Front Connector Type : LC = LC
SC = SC

Fibre type: OM3 = 50µ Multimode
OM4 = 50µ Multimode
008 = MFD 8 - 9.3µ Singlemode

No. of Fibres: 12 = 12 Fibres
24 = 24 Fibres

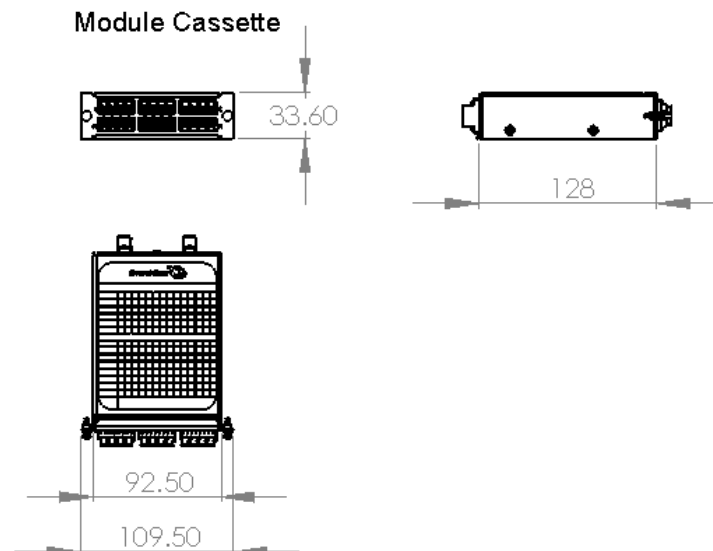
Colour: Black

ULTRA LOW LOSS CONNECTOR PERFORMANCE

Connector Type		Insertion Loss (dB)		Maximum Attenuation (dB/km)	Typical Cable Attenuation (dB/km)
		Typical	Maximum	Typical	Maximum
Multimode	MTP Low Loss	0.10	0.35	-	20
	Low Loss LC	0.10	0.20	-	20
Singlemode	MTP Low Loss ⁽¹⁾	0.10	0.35	-	60
	Low Loss LC	0.10	0.20	-	65

⁽¹⁾Angled polish face

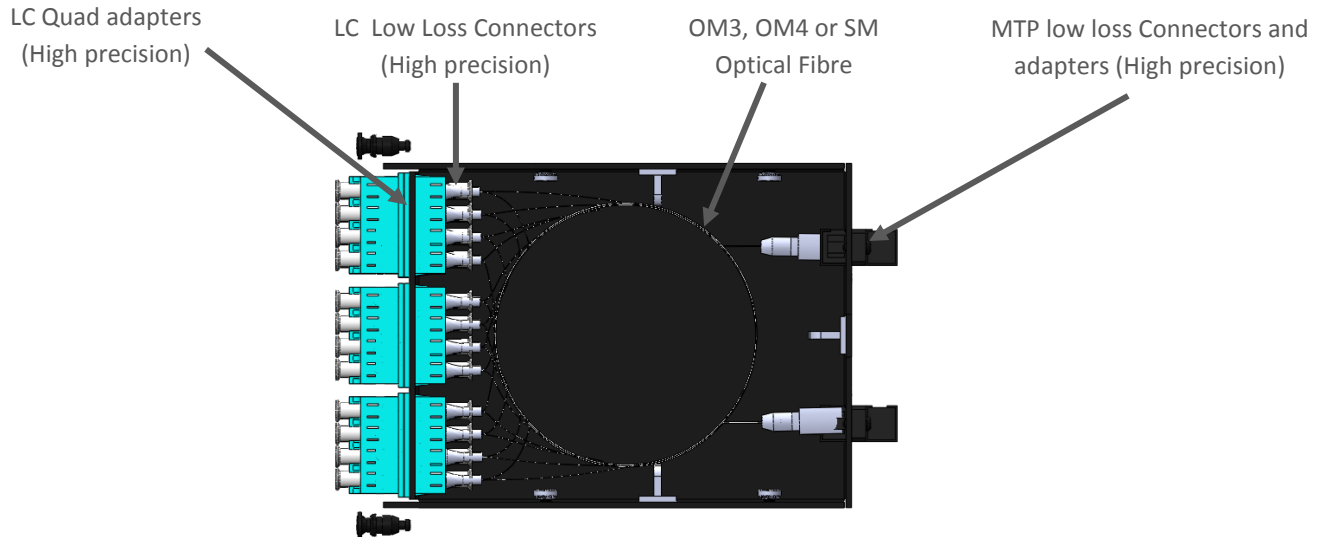
PHYSICAL CHARACTERISTICS



MT Connect Superset Cassette

Datasheet: GD102645v2

CASSETTE PARTS



MATERIALS

- Chassis: Powder Coated Aluminium Alloy

“Brand-Rex is dedicated to designing, developing and manufacturing sustainable high performance structured cabling and speciality cabling solutions”

The information contained in this document is valid and correct at the time of issue. Brand-Rex reserves the right to modify details without notice in light of subsequent standard/specification changes and ongoing technical developments.